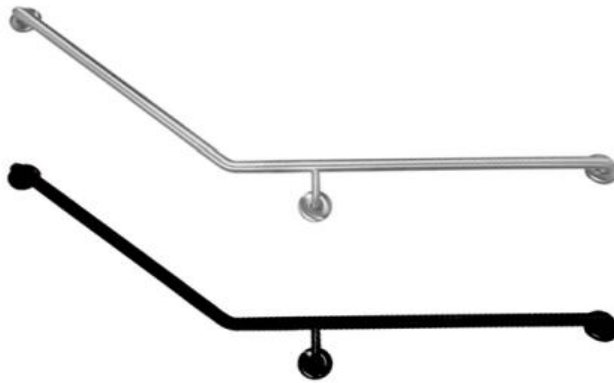


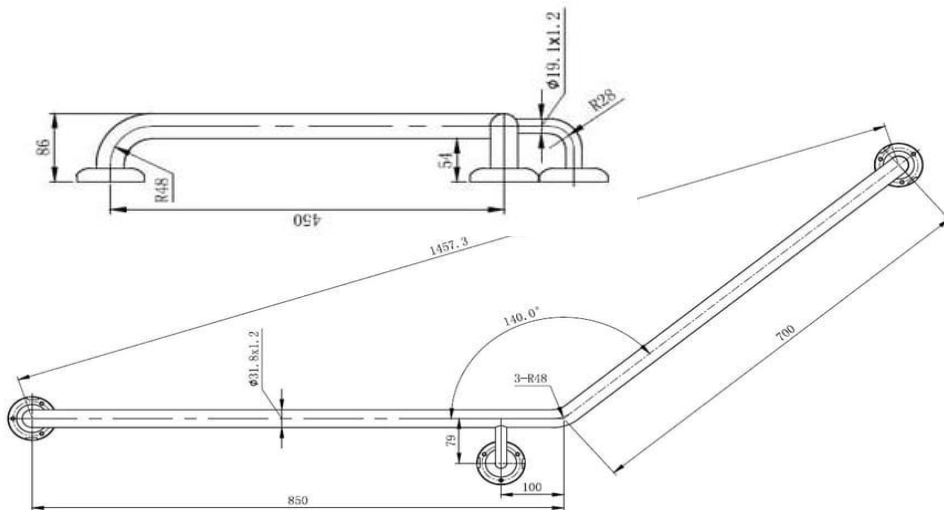
MOBI CARE CURVED GRAB RAIL

SPECIFICATIONS



Right Hand
TP GRAB857R
TP GRAB857R MK

Left Hand
TP GRAB857L
TP GRAB857L MK



Available in Chrome or Matte Black Finish

Left or Right Hand Available

304 Grade Stainless Steel

Complies with AS1428.1 requirements

WARRANTY INFORMATION:

2 Year Replacement Parts or Product

All products have a full 1 year in house labour warranty from date of purchase (Excluding Seat and Hinges)

ZENMO
Zen-inspired, Modern Living

ADDRESS: 42 Castro Way, Derrimut VIC 3026

PHONE: (03) 8390 6300

OFFICE: ect_sales@outlook.com

SERVICE: ect_service@outlook.com

WEBSITE: www.zenmo.com.au